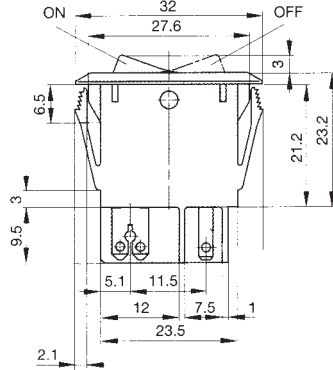


Rocker Switch/Circuit Breaker, 1410-F1 Series



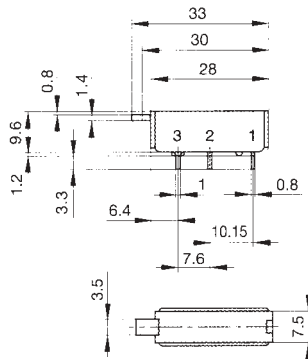
Miniaturised single pole rocker switch/thermal circuit breaker combining ON/OFF switching and fast overload performance in a single component. 230V red neon indication of 'ON' status. Snap-in panel mounted.

Rated voltage 28VDC, 240VAC
 Rupture current 1-8A (2000A) 250VAC, 1-8A (200A) 48VDC
 Typical life 30000 cycles at rated load ≤ 6.3A AC/DC
 Temperature -20°C to +60°C
 Panel cut-out 28 x 12.7mm
 Approvals UL, CSA, VDE

Tripping times (I_n)
 140% 1 hour max. guaranteed at 23°C
 200% Between 0.2 - 3 sec
 400% 0.035 - 0.35 sec

Stock No.	Manf Ref ¹	Type	Unit Price		
			1-9	10-24	25-49
4100163	1410-F110-P1F1-W14QE4	1AMP	6.93	6.41	6.24
4100166	1410-F110-P1F1-W14QE4	2AMP	6.93	6.41	6.24
4100169	1410-F110-P1F1-W14QE4	3.15AMP	6.93	6.41	6.24
4100172	1410-F110-P1F1-W14QE4	5AMP	6.93	6.41	6.24
4100175	1410-F110-P1F1-W14QE4	6.3AMP	6.93	6.41	6.24
4100178	1410-F110-P1F1-W14QE4	8AMP	6.93	6.41	6.24

PCB Mount Circuit Breaker 1410-L2 Series



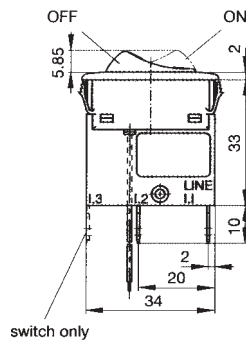
Miniaturised single pole press-to-reset thermal circuit breaker with fast overload performance for in-line PCB mounting. Features a changeover contact to provide status output signal.

Rated voltage 28VDC, 240VAC
 Rupture current 1-5A (2000A) 250VAC, 1-5A (200A) 50VDC
 Typical life 300 cycles at 200% of rated load
 Temperature -20°C to +100°C
 Terminals Solder pins 1 x 0.8mm
 Approvals UL, CSA, VDE

Tripping times (I_n)
 140% 1 hour max. guaranteed at 23°C
 200% Between 0.2 - 3 sec
 400% Between 0.035 - 0.35 sec

Stock No.	Manf Ref ¹	Type	Unit Price		
			1-9	10-24	25-49
4100190	1410-L210-L2F1-S02-1A	1AMP	4.08	3.77	3.67
4100196	1410-L210-L2F1-S02-2A	2AMP	4.08	3.77	3.67
4100199	1410-L210-L2F1-S02-3.15	A3.15AMP	4.08	3.77	3.67
4100202	1410-L210-L2F1-S02-4A	4AMP	4.08	3.77	3.67
4100205	1410-L210-L2F1-S02-5A	5AMP	4.08	3.77	3.67

Rocker Switch/Circuit Breaker, Slimline, 3130F Series



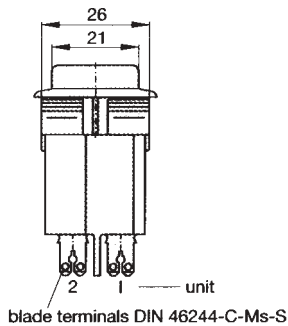
One, two & three pole switch/thermal circuit breakers of compact design for snap-in panel mounting. Thermal protection on all poles. Features a white rocker switch with 'I' & 'O' engraved legend.

Rated voltage 50VDC, 240VAC, 3 phase 415VAC
 Rupture current 1 & 2 pole (3500A) 250VAC
 3 pole (5000A) 3 x 250VAC
 Typical life 1 & 2 pole (2000A) 50VDC
 30,000 cycles at I_n, 1 & 3 pole
 50,000 cycles at I_n, 2 pole
 Temperature -30°C to +60°C
 Panel Cut-out 34 x 14.6mm (single pole)
 34 x 26.1mm (double pole)
 34 x 37.6mm (three pole)

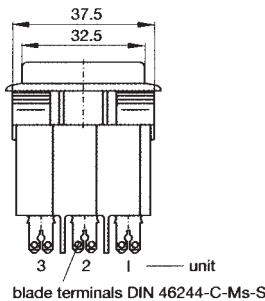
Panel thickness 1 - 2.5mm
 Approvals UL, CSA, VDE
Tripping times (I_n)
 140% 1 hour max. guaranteed at 23°C
 200% Between 9 - 60s (1A-2A), 5.5 - 30s (3-16A)
 400% Between 1.25 - 8s (1A-2A), 1 - 3.5s (3-16A)

Single Pole Dimensions

Stock No.	Manf Ref ¹	Type	Unit Price		
			1-9	10-24	25-49
4100526	3130-F110-P7T1-W02Q-1A	1POLE	8.07	7.46	7.26
4100529	3130-F110-P7T1-W02Q-2A	1POLE	8.07	7.46	7.26
4100532	3130-F110-P7T1-W02Q-3A	1POLE	6.93	6.41	6.24
4100535	3130-F110-P7T1-W02Q-5A	1POLE	6.93	6.41	6.24
4100538	3130-F110-P7T1-W02Q-8A	1POLE	6.93	6.41	6.24
4100520	3130-F110-P7T1-W02Q-10A	1POLE	6.93	6.41	6.24
4100523	3130-F110-P7T1-W02Q-16A	1POLE	6.93	6.41	6.24
4100547	3130-F120-P7T1-W02Q-1A	2POLE	16.38	15.15	14.74
4100550	3130-F120-P7T1-W02Q-2A	2POLE	16.38	15.15	14.74
4100553	3130-F120-P7T1-W02Q-3A	2POLE	14.37	13.29	12.93
4100556	3130-F120-P7T1-W02Q-5A	2POLE	14.37	13.29	12.93
4100559	3130-F120-P7T1-W02Q-8A	2POLE	14.37	13.29	12.93
4100541	3130-F120-P7T1-W02Q-10A	2POLE	14.37	13.29	12.93
4100544	3130-F120-P7T1-W02Q-16A	2POLE	14.37	13.29	12.93
4100568	3130-F130-P7T1-W02Q-1A	3POLE	19.84	18.35	17.86
4100571	3130-F130-P7T1-W02Q-2A	3POLE	19.84	18.35	17.86
4100574	3130-F130-P7T1-W02Q-3A	3POLE	15.75	14.57	14.18
4100577	3130-F130-P7T1-W02Q-5A	3POLE	15.75	14.57	14.18
4100580	3130-F130-P7T1-W02Q-8A	3POLE	15.75	14.57	14.18
4100562	3130-F130-P7T1-W02Q-10A	3POLE	15.75	14.57	14.18
4100565	3130-F130-P7T1-W02Q-16A	3POLE	15.75	14.57	14.18

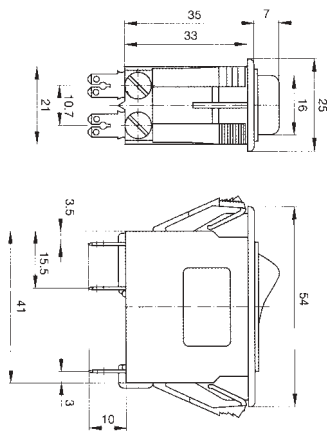


Double Pole Dimensions



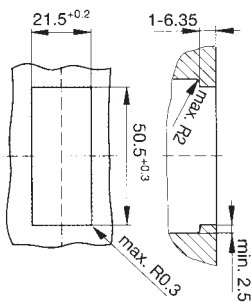
Three Pole Dimensions

Rocker Switch/Circuit Breaker, Illuminated, 3120 Series



A double pole rocker switch/thermal circuit breaker with protection on both poles. Red or green neon, rocker illumination. Switch returns to off under overload conditions. Designed for snap-in mounting.

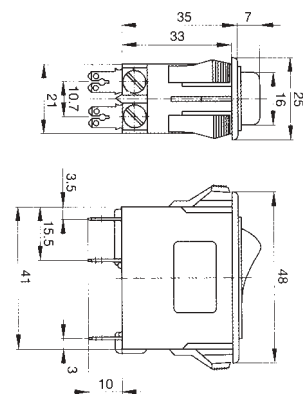
Rated voltage 50VDC, 240VAC
 Rupture current 250VAC 1A (200A), 2.5A (1000A), 5-8A (2000A)
 10-16A (3500A), 20A (5000A)
 50VDC 1-20A (1000A)
 Typical life 50,000 cycles at $I_n \leq 16A$
 10,000 cycles at $I_n > 16A$
 Temperature -30°C to +60°C
 Terminals 2 x 2.8mm push-on
 Panel cut-out 50.5 x 21.5mm
 Panel thickness 1 - 6.35mm
 Approvals UL, CSA, VDE
Tripping times (I_n)
 140% 1 hour max. guaranteed at 23°C
 200% Between 9 - 60s (1A), 7.5 - 30s (2.5 - 20A)
 400% Between 2 - 6.5s (1A), 1.5 - 4.5s (2.5 - 20A)



Panel Cut-out Dimensions

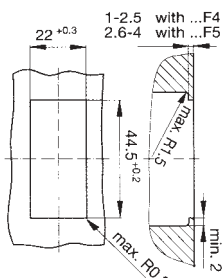
Stock No.	Manf Ref'	Type	Rocker	Unit Price		
				1-9	10-24	25-49
4100376	3120-F321-P7T1-W14B4-1A	1A	RED NEON	15.90	14.71	14.31
4100379	3120-F321-P7T1-W14B4-2.5A	2.5A	RED NEON	14.15	13.09	12.74
4100385	3120-F321-P7T1-W14B4-5A	5A	RED NEON	14.15	13.09	12.74
4100388	3120-F321-P7T1-W14B4-6A	6A	RED NEON	14.15	13.09	12.74
4100391	3120-F321-P7T1-W14B4-8A	8A	RED NEON	14.15	13.09	12.74
4100367	3120-F321-P7T1-W14B4-10A	10A	RED NEON	14.15	13.09	12.74
4100370	3120-F321-P7T1-W14B4-12A	12A	RED NEON	14.15	13.09	12.74
4100373	3120-F321-P7T1-W14B4-16A	16A	RED NEON	14.15	13.09	12.74
4100382	3120-F321-P7T1-W14B4-20A	20A	RED NEON	14.15	13.09	12.74
4100403	3120-F321-P7T1-W19B4-1A	1A	GREEN NEON	15.90	14.71	14.31
4100406	3120-F321-P7T1-W19B4-2.5A	2.5A	GREEN NEON	14.94	13.82	13.45
4100412	3120-F321-P7T1-W19B4-5A	5A	GREEN NEON	14.94	13.82	13.45
4100415	3120-F321-P7T1-W19B4-6A	6A	GREEN NEON	14.94	13.82	13.45
4100418	3120-F321-P7T1-W19B4-8A	8A	GREEN NEON	14.94	13.82	13.45
4100394	3120-F321-P7T1-W19B4-10A	10A	GREEN NEON	14.94	13.82	13.45
4100397	3120-F321-P7T1-W19B4-12A	12A	GREEN NEON	14.94	13.82	13.45
4100400	3120-F321-P7T1-W19B4-16A	16A	GREEN NEON	14.94	13.82	13.45
4100409	3120-F321-P7T1-W19B4-20A	20A	GREEN NEON	14.94	13.82	13.45

Rocker Switch/Circuit Breaker I/O Engraved, 3120 Series



A double pole rocker switch/thermal circuit breaker with protection on both poles. Black or white rocker with I/O engraved. Switch returns to off under overload conditions. Designed for snap-in mounting.

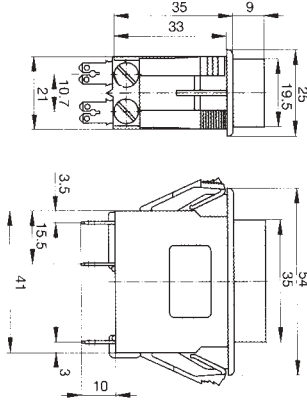
Rated voltage 50VDC, 240VAC
 Rupture current 250VAC 1A (200A), 2.5A (1000A), 5-8A (2000A)
 10-16A (3500A), 20A (5000A)
 50VDC 1-20A (1000A)
 Typical life 50,000 cycles at $I_n \leq 16A$
 10,000 cycles at $I_n > 16A$
 Temperature -30°C to +60°C
 Terminals 2 x 2.8mm push-on
 Panel cut-out 44.5 x 22mm
 Panel thickness 1 - 2.5mm
 Approvals UL, CSA, VDE
Tripping times (I_n)
 140% 1 hour max. guaranteed at 23°C
 200% Between 9 - 60s (1A), 7.5 - 30s (2.5 - 20A)
 400% Between 2 - 6.5s (1A), 1.5 - 4.5s (2.5 - 20A)



Panel Cut-out Dimensions

Stock No.	Manf Ref'	Type	Rocker	Unit Price		
				1-9	10-24	25-49
4100457	3120-F421-P7T1-W02D-1A	1A	WHITE I/O	14.15	13.09	12.74
4100463	3120-F421-P7T1-W02D-2.5A	2.5A	WHITE I/O	12.40	11.47	11.16
4100475	3120-F421-P7T1-W02D-5A	5A	WHITE I/O	12.40	11.47	11.16
4100481	3120-F421-P7T1-W02D-6A	6A	WHITE I/O	12.40	11.47	11.16
4100487	3120-F421-P7T1-W02D-8A	8A	WHITE I/O	12.40	11.47	11.16
4100439	3120-F421-P7T1-W02D-10A	10A	WHITE I/O	12.40	11.47	11.16
4100445	3120-F421-P7T1-W02D-12A	12A	WHITE I/O	12.40	11.47	11.16
4100451	3120-F421-P7T1-W02D-16A	16A	WHITE I/O	12.40	11.47	11.16
4100469	3120-F421-P7T1-W02D-20A	20A	WHITE I/O	12.40	11.47	11.16
4100460	3120-F421-P7T1-W01D-1A	1A	BLACK I/O	14.15	13.09	12.74
4100466	3120-F421-P7T1-W01D-2.5A	2.5A	BLACK I/O	12.40	11.47	11.16
4100478	3120-F421-P7T1-W01D-5A	5A	BLACK I/O	12.40	11.47	11.16
4100484	3120-F421-P7T1-W01D-6A	6A	BLACK I/O	12.40	11.47	11.16
4100490	3120-F421-P7T1-W01D-8A	8A	BLACK I/O	12.40	11.47	11.16
4100442	3120-F421-P7T1-W01D-10A	10A	BLACK I/O	12.40	11.47	11.16
4100448	3120-F421-P7T1-W01D-12A	12A	BLACK I/O	12.40	11.47	11.16
4100454	3120-F421-P7T1-W01D-16A	16A	BLACK I/O	12.40	11.47	11.16
4100472	3120-F421-P7T1-W01D-20A	20A	BLACK I/O	12.40	11.47	11.16

Rocker Switch/Circuit Breaker Shrouded, 3120 Series



Dimensions shown without 9mm Shroud

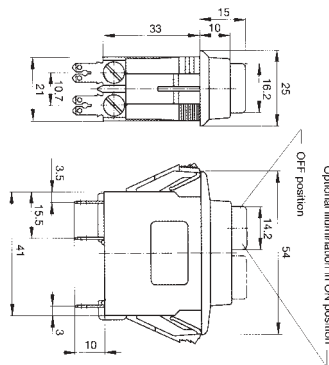
A double pole rocker switch/thermal circuit breaker with protection on both poles. Integral shroud over I/O engraved rocker switch to avoid unintended operation. Switch returns to off under overload conditions. Designed for snap-in mounting. UL, CSA, VDE approved.

Shroud height 9mm
 Panel cut-out 44.5 x 22mm
 Panel thickness 1-2.5mm

All technical data, including tripping times, is identical to the 3120 series circuit breakers which are listed on the opposite page.

Stock No.	Manf Ref'	Type	Unit Price		
			1-9	10-24	25-49
4100502	3120-F423-P7T1-W02D-1A	1A	14.15	13.09	12.74
4100505	3120-F423-P7T1-W02D-2.5A	2.5A	12.40	11.47	11.16
4100736	3120-F423-P7T1-W02D-5A	4A	12.40	11.47	11.16
4100514	3120-F423-P7T1-W02D-6A	6A	12.40	11.47	11.16
4100517	3120-F423-P7T1-W02D-8A	8A	12.40	11.47	11.16
4100493	3120-F423-P7T1-W02D-10A	10A	12.40	11.47	11.16
4100496	3120-F423-P7T1-W02D-12A	12A	12.40	11.47	11.16
4100739	3120-F423-P7T1-W02D-16A	15A	12.40	11.47	11.16
4100508	3120-F423-P7T1-W02D-20A	20A	12.40	11.47	11.16

Rocker Switch/Circuit Breaker Twin Button, 3120 Series



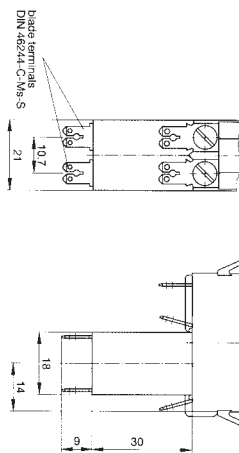
A range of two pole, two button on/off control circuit breakers offering considerable cost and space saving over conventional control gear products for low rated applications. Features green neon illumination when 'ON'.

Panel cut-out 50.5 x 21.5mm
 Panel thickness 1 - 6.35mm
 Illumination voltage 185-275V, <1mA
 Approvals UL, CSA, VDE

All technical data, including tripping times, is identical to the 3120 series circuit breakers which are listed on the opposite page.

Stock No.	Manf Ref'	Type	Unit Price		
			1-9	10-24	25-49
4100427	3120-F32F-P7T1-SGRXL4-1A	1A	16.69	15.44	15.02
4100430	3120-F32F-P7T1-SGRXL4-2.5A	2.5A	14.15	13.09	12.74
4100433	3120-F32F-P7T1-SGRXL4-5A	5A	14.15	13.09	12.74
4100436	3120-F32F-P7T1-SGRXL4-8A	8A	14.15	13.09	12.74
4100421	3120-F32F-P7T1-SGRXL4-10A	10A	14.15	13.09	12.74
4100424	3120-F32F-P7T1-SGRXL4-15A	15A	14.15	13.09	12.74

Remote Trip Module for 3120 Series

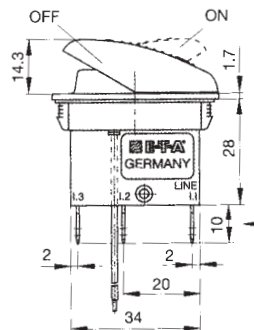


A module which adds remote trip capability to all versions of the 3120-series circuit breakers. A voltage applied across the coil will cause disconnection of the main switch/circuit breaker mechanism.

Rated voltage 24VDC or 230VAC
 Power consumption 200W approx.
 Release delay t < 20ms
 Typical life 50000 cycles at Un
 Temperature -30°C to +60°C
 Terminals 2 x 2.8mm push-on
 Approvals UL, CSA, VDE

Stock No.	Manf Ref'	Type	Unit Price		
			1-9	10-24	25-49
4100709	X3120-M2P7M-230VAC	230VAC	4.58	4.24	4.12
4100712	X3120-M2P7M-24VDC	230VAC	4.58	4.24	4.12

Rocker Switch/Circuit Breaker IP66 Waterproof, 3130 Series



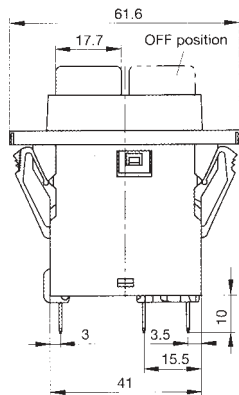
Single pole rocker switch/thermal circuit breakers of compact design for snap-in panel mounting. White rocker with 'I' & 'O' moulded in, other colours are available. IP66 waterproof, ideal for marine applications.

Rated voltage 50VDC, 250VAC
 Rupture current 2-16A (3500A) 250VAC, (2000A) 50VDC
 Typical life 30,000 cycles at In
 Temperature -30°C to +60°C
 Panel Cut-out / thickness 38 x 16.6mm / 2 - 3.5mm
 Approvals UL, CSA, VDE

Tripping times (In)
 140% 1 hour max. guaranteed at 23°C
 200% Between 9 - 60s (2A), 5.5 - 30s (4-16A)
 400% Between 1.25 - 8s (2A), 1 - 3.5s (4-16A)
 LED illuminated models are also available.

Stock No.	Manf Ref'	Type	Unit Price		
			1-9	10-24	25-49
4100808	3130-F2120-P7T1-S02-2A	2AMP	10.87	10.05	9.78
4100811	3130-F2120-P7T1-S02-4A	4AMP	9.77	9.04	8.79
4100814	3130-F2120-P7T1-S02-6A	6AMP	9.77	9.04	8.79
4100817	3130-F2120-P7T1-S02-10A	10AMP	9.77	9.04	8.79
4100820	3130-F2120-P7T1-S02-16A	16AMP	9.77	9.04	8.79

Three Pole Circuit Breaker ON/OFF, 3140 Series



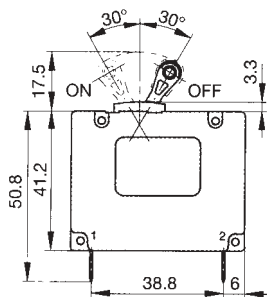
Three pole switch/thermal circuit breaker with trip-free, snap action mechanism and on/off, green/red two button operation. Designed for snap-in panel mounting. Significant saving on cost and space when used instead of a conventional D.O.L. starter.

Rated voltage 240/415 VAC
 Rupture current 1-16A (3500A) at 250VAC
 Typical life 10000 cycles at rated load
 Temperature -30°C to +60°C
 Terminals 2 x 2.8mm push-on
 Panel cut-out 45 x 50.5mm, panel thickness 1-6.35mm

Tripping times (In)
 140% 1 hour max. guaranteed at 23°C
 200% Between 6.5 - 30s
 400% Between 0.9 - 3.5s

Stock No.	Manf Ref'	Type	Unit Price		
			1-9	10-24	25-49
4100589	3140-F130-P7T1-SGRX-3A	3A	21.47	19.86	19.32
4100592	3140-F130-P7T1-SGRX-5A	5A	21.47	19.86	19.32
4100595	3140-F130-P7T1-SGRX-8A	8A	21.47	19.86	19.32
4100583	3140-F130-P7T1-SGRX-12A	12A	21.47	19.86	19.32
4100586	3140-F130-P7T1-SGRX-16A	16A	21.47	19.86	19.32

Magnetic Circuit Breakers 8340 Series



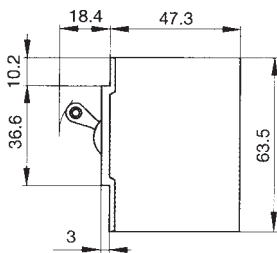
Single pole magnetic circuit breakers with trip-free, snap action mechanism and toggle actuation. Black in colour with I/O actuator markings. Panel mounted with M3 screws into threaded inserts.

Rated voltage 80VDC, 240VAC
 Rupture current 2000A
 Typical life 10,000 cycles at rated load
 Temperature -40°C to +85°C
 Terminals 6.3mm push-on
 Panel cut-out Mounting hole fixing centres 42.15mm
 Approvals UL, CSA, VDE

Tripping times (In) Medium delay
 200% (DC) Between 0.6 - 7.5 s

Stock No.	Manf Ref'	Type	Unit Price		
			1-9	10-24	25-49
4100823	8340-F410-P1M1-A3H0-5A	5AMP	11.39	10.54	10.25
4100826	8340-F410-P1M1-A3H0-10A	10AMP	11.39	10.54	10.25
4100829	8340-F410-P1M1-A3H0-15A	15AMP	11.39	10.54	10.25
4100832	8340-F410-P1M1-A3H0-20A	20AMP	11.39	10.54	10.25
4100835	8340-F410-P1M1-A3H0-25A	25AMP	11.39	10.54	10.25
4100838	8340-F410-P1M1-A3H0-30A	30AMP	11.39	10.54	10.25
4100841	8340-F410-P1M1-A3H0-40A	40AMP	11.39	10.54	10.25

Magnetic Circuit Breakers 8350 Series



Single pole magnetic circuit breakers with trip-free mechanism and toggle actuation. Black in colour with white actuator. Panel mounted with M3 screws into threaded inserts.

Rated voltage 80VDC, 240VAC
 Rupture current 5000A
 Typical life 10,000 cycles at rated load
 Temperature -40°C to +85°C
 Terminals M5 stud
 Panel cut-out 36.8 x 19.2mm, fixing hole centres 52.4mm
 Approvals UL, CSA, VDE

Tripping times (In) medium delay
 200% Between 1.2 - 10.5 s
 400% Between 0.2 - 2.8 s

Stock No.	Manf Ref'	Type	Unit Price		
			1-9	10-24	25-49
4100844	8350-AA1B-AABS-20AB0M-50A		26.20	24.24	23.58
4100847	8350-AA1B-AABS-20AB0M-60A		26.20	24.24	23.58
4100850	8350-AA1B-AABS-20AB0M-80A		26.20	24.24	23.58
4100853	8350-AA1B-AABS-20AB0M-100A		26.20	24.24	23.58

Splash Covers for Circuit Breakers



Transparent splash covers for various thermal circuit breakers.

106 series: Water splash cover (transparent) / knurled nut assembly.
1110 series: Water splash cover (transparent), please note that when using splash cover that the max. panel thickness is reduced by 0.5mm.
2-5700 series: Water splash cover (transparent) / knurled nut assembly.
4120, 4130, 413 & 452 series: Water splash cover (transparent) / hex nut assembly with 'O' ring. The concertina design is extended when the button trips to the 'OFF' position. Nickel plated nut.

Stock No.	Manf Ref'	Type	IP Rating	Unit Price		
				1-9	10-24	25-49
Splash Covers						
4100706	X201-285-01	106 SERIES	IP64	1.38	1.28	1.24
4100877	Y304-745-01	1110 SERIES	IP54	2.67	2.47	2.40
4100718	X200-799-01	2-5700 SERIES	IP64	1.65	1.53	1.49
4100700	X200-801-08	4130 SERIES	IP66	3.89	3.60	3.50
4100700	X200-801-08	4120 SERIES	IP66	3.89	3.60	3.50
4100700	X200-801-08	413 SERIES	IP66	3.89	3.60	3.50
4100700	X200-801-08	452 SERIES	IP66	3.89	3.60	3.50

**ETAP2
Circuit Protection**



A DIN rail mounted printed circuit board assembly featuring ten thermal circuit breakers (soldered in place), to provide a cost effective, space saving alternative to fuses. It has an extremely fast overload switching performance and is unaffected by surges and transients. Should any breaker trip, an auxiliary terminal provides a signal for external alarm, and onboard LED or neon provides visible indication.

- All circuit breakers can be reset manually.
- Supply is via a 5mm stud.
- Field outputs are via IP20 fingerproof screw terminals.
- Units can be made to customer requirements, with different values of circuit breakers on one board if required, up to a maximum of 40 Amps per board.

Specification:

Max. total PCB capacity 40A at 25°C
 Max. voltage rating 48VDC, 250VAC
 Alarm contact rating DC (0.2 x In)
 1A at 250VAC
 Rupture current 0.63 - 2.5A (12 x In)
 3.15 - 8A (8 x In)
 Typical life 300 cycles at 2 x In

Terminals

1 - 10 Circuit breaker output
A Alarm
G 0 volts for DC models
 Neutral for mains

Dimensions

Length 105mm
 Depth 70mm
 Height above DIN rail 38mm

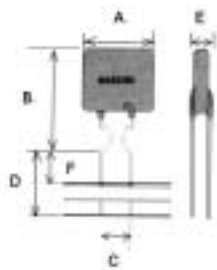
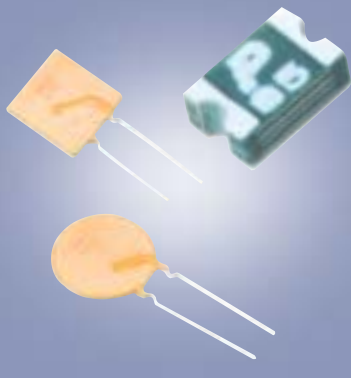
Note: For mains versions, it is recommended that the 5mm stud is insulated. A rubber boot is available which should be purchased separately.

Rubber Boot



Stock No.	Manf Ref'	Type	Rating	Indication	Unit Price		
					1-9	10-24	25-49
9471123	ETAP2-X-10	24VDC	10 x 1AMP	LED	70.50	66.98	63.45
9471126	ETAP2-X-20	24VDC	10 x 2AMP	LED	70.50	66.98	63.45
9471129	ETAP2-X-31	24VDC	10 x 3.15AMP	LED	70.50	66.98	63.45
9471132	ETAP2-X-40	24VDC	10 x 4AMP	LED	70.50	66.98	63.45
9471135	ETAP2-Z-20	230VAC	10 x 2AMP	NEON	70.50	66.98	63.45
9391003	CTB900	RUBBER BOOT			1.50	1.46	1.41

Resettable Fuses

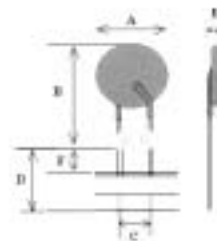


The internal resistance of the component increases in response to an overcurrent or short circuit condition. Hence, they exhibit high resistance to the fault current and limit subsequent disturbances. After the fault condition has been removed, the internal resistance of the device drops to nearly its initial value as a consequence of cooling down and normal operation resumes.

Interrupting current 40A max
 Operating temperature -40°C to +85°C
 Typical reset time <20 seconds (at 20°C) after power removed

Note:
 Hold current = maximum current the device will pass without tripping in 20°C still air
 Trip current = minimum current the device will pass without tripping in 20°C still air

RLD30



Radial lead fuses are supplied in packs of 10
 For surface mounted fuses, please consult sales

RLD60

Typical Dimensions (mm)	A	B	C	E
30 Volt DC				
RLD30P110U	7.4	14.2	5.1	3
RLD30P250U	11.4	18.3	5.1	3
RLD30P500U	14	24.9	10.2	3
RLD30P800U	21.6	29.2	10.2	3
60 Volt DC				
RLD60P050X	7.9	13.7	5.1	3.1
RLD60P110X	13	18	5.1	3.1
RLD60P185X	17.8	22.9	5.1	3.1
RLD60P300X	24.9	30	10.2	3.1
15 Volt DC				
SMD1812P050TS	4.5	3.2	0.6	0.4
SMD1812P110TS/15	4.5	3.2	1.0	0.4
8 Volt				
SMD1812P200TS	4.5	3.2	1.0	0.4



SMD1812

Stock No.	Manf Ref'	I hold	I Trip	Pack Price		
				1-9	10-24	25-49
30 Volt DC, Radial Lead						
8591277	RLD30P110U	1.1A	2.2A	4.50	4.28	4.05
8591280	RLD30P250U	2.5A	5.0A	6.00	5.70	5.40
8591283	RLD30P500U	5.0A	10A	10.00	9.50	9.00
8591286	RLD30P800U	8.0A	16A	12.00	11.40	10.80
60 Volt DC, Radial Lead						
8591289	RLD60P050X	0.5A	1.0A	6.00	5.70	5.40
8591292	RLD60P110X	1.1A	2.2A	7.00	6.65	6.30
8591295	RLD60P185X	1.85A	3.7A	7.50	7.13	6.75
8591298	RLD60P300X	3.0A	6.0A	9.00	8.55	8.10
15 Volt DC, Surface Mount						
8591301	SMD1812P050TS	0.5A	1.0A	CONSULT SALES		
8591304	SMD1812P110TS/15	1.1A	1.95A	CONSULT SALES		
8 Volt DC, Surface Mount						
8591307	SMD1812P200TS	2.0A	3.5A	CONSULT SALES		