

## 3 & 4 Pole Enclosed Isolators, IP67



A range of high quality 3 and 4 pole switch disconnectors in polycarbonate enclosures protected to IP67. This range of switches feature a recessed switch handle to give the higher IP protection level. All switches are interlocked with lid to prevent removal in the 'ON' position and are padlockable in the 'OFF' position. An earth terminal is included in all enclosures.

Rated Current (A)	20	25	32	40	63
No. of poles	3-4	3-4	3-4	3-4	3-4
Rated insulation voltage (V)	690	690	690	690	690
Motor rating, AC23A (kW)	5.5	7.5	11	15	22
IP Rating	IP67	IP67	IP67	IP67	IP67
Max. cable size (sq. mm)	2.5	6	6	16	16
Height (mm)	121	121	121	190	190
Width (mm)	86	86	86	100	100
Depth (mm)	90	90	90	93	93
Conforms to	IEC 60 947, IEC 60 204, BS EN 60 947, BS EN 60 204				

Stock No.	Manf Ref <sup>1</sup>	Current	No. Poles	Unit Price		
				1-4	5-9	10-24
8901133	KG10T203/GBA270KS1V	20A	3	15.83	15.04	14.25
8901211	KG20T203/GBA270KS1V	25A	3	17.76	16.87	15.98
8901265	KG32T203/GBA270KS1V	32A	3	20.49	19.47	18.44
8901292	KG41T203/GBA270KL1V	40A	3	31.39	29.82	28.25
8901319	KG64T203/GBA270KL1V	63A	3	35.64	33.86	32.08
8901346	KG80T203/GBA901KL	80A	3	59.17	56.21	53.25
8901139	KG100T203/GBA901KL	100A	3	67.22	63.86	60.50
8901136	KG10T204/GBA290KS1V	20A	4	17.08	16.23	15.37
8901214	KG20T204/GBA290KS1V	25A	4	21.95	20.85	19.76
8901268	KG32T204/GBA290KS1V	32A	4	25.38	24.11	22.84
8901295	KG41T204/GBA290KL1V	40A	4	40.71	38.67	36.64
8901322	KG64T204/GBA290KL1V	63A	4	40.71	38.67	36.64
8901349	KG80T204/GBA920KL	80A	4	65.91	62.61	59.32
8901142	KG100T204/GBA920KL	100A	4	76.54	72.71	68.89

16 >

## 6 Pole Enclosed Isolators IP67 & IP65



A range of high quality 6 pole switch disconnectors in polycarbonate enclosures. This range of switches up to and including 63Amp feature recessed switch handles which protect the enclosures to IP67. The 80 & 100Amp models feature prominent switch handles which protect the enclosures to IP65. All switches are interlocked with the lid to prevent removal in the 'ON' position and are padlockable in the 'OFF' position. The 6 pole models, 32 Amp to 100 Amp, have 2 normally open auxiliary contacts (early break) incorporated. An earth terminal is included in all enclosures.

Rated Current (A)	20	25	32	40	63	80	100	80	100
No. of poles	6	6	6	6	6	6	6	3-4	3-4
Auxiliary contacts (2N/O)	NO	NO	YES	YES	YES	YES	YES	NO	NO
Rated insulation voltage (V)	690	690	690	690	690	690	690	690	690
Motor rating, AC23A (kW)	5.5	7.5	11	15	22	30	30	37	37
IP Rating	IP65	IP65	IP65	IP65	IP65	IP65	IP65	IP65	IP65
Max. cable size (sq. mm)	2.5	6	6	16	16	35	35	35	35
Height (mm)	121	190	190	250	250	280	280	250	250
Width (mm)	86	100	100	145	145	190	190	145	145
Depth (mm)	90	90	90	100	100	180	180	100	100
Conforms to	IEC 60 947, IEC 60 204, BS EN 60 947, BS EN 60 204								

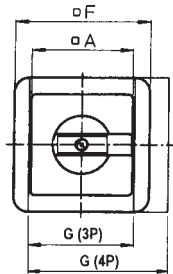
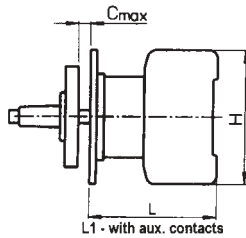
Stock No.	Manf Ref <sup>1</sup>	Current	No. Poles	Protection	Unit Price		
					1-4	5-9	10-24
8901166	KG10BT206/GBA946-KS	20A	6	IP67	23.59	22.41	21.23
8901217	KG20BT206/GBA946-KL	25A	6	IP67	40.10	38.10	36.09
8901271	KG32BT206/GBA906-KL	32A	6 + AUX	IP67	50.97	48.42	45.87
8901301	KG41BT206/GBA906-KL	40A	6 + AUX	IP67	63.40	61.50	59.60
8901328	KG64BT206/GBA906-KL	63A	6 + AUX	IP67	70.21	66.70	63.19
8901355	KG80T206/GBA907ST	80A	6 + AUX	IP65	160.11	152.10	144.10
8901148	KG100T206/GBA907ST	100A	6 + AUX	IP65	176.15	167.34	158.54

## Isolator Front Panel Mounting



A range of high quality 3 and 4 pole panel door mounted switch disconnectors, padlockable in the 'OFF' position. The 125 Amp and 160 Amp switches, have 2 N/O (early break) and 2 N/C auxiliary contacts incorporated. All switches are 4 hole mounting and are protected to IP65. Fingerproof terminals on the 20 - 63 Amp. Live terminal shrouds are also available.

Rated Current (A)	20	25	32	40	63	80	100	125	160
Auxiliary switches (2NO+2NC)	NO	NO	NO	NO	NO	NO	NO	YES	YES
Rated insulation voltage (V)	690	690	690	690	690	690	690	1000	1000
Motor rating, AC23A (kW)	5.5	7.5	11	15	22	30	37	45	55
Max. cable size (sq. mm)	2.5	6	6	16	16	35	35	95	95
Conforms to	IEC 60947, IEC 60 204, BS EN 60 947, BS EN 60 204								
Dimensions (mm)									
A	64	64	64	64	64	64	64	88	88
B	48	48	48	48	48	48	48	68	68
C	4	4	4	4	4	4	4	5.5	5.5
D1	11-15	10	10	10	10	10	10	13	13
D2	5	5	5	5	5	5	5	6	6
F	64	64	64	64	64	88	88	-	-
G-3 Pole	48	42	42	50	50	70	70	112	112
G-4 Pole	48	55.5	55.5	66	66	92	92	150	150
H	50	54	54	64	64	80	80	190	190
L	57.2	53.8	53.8	60.5	60.5	70.6	70.6	96	96
L1	66.7	62.8	62.8	70.5	70.5	80.6	80.6	117	117



Front Panel Mounting

Stock No.	Manf Ref'	Current	No. Poles	Unit Price		
				1-4	5-9	10-24
8901169	KG10BT213/04E	20A	3	11.06	10.73	10.40
8901223	KG20BT213/04E	25A	3	11.84	11.48	11.13
8901277	KG32BT213/04E	32A	3	14.11	13.69	13.26
8901304	KG41BT213/04E	40A	3	16.37	15.88	15.39
8901331	KG64BT213/04E	63A	3	20.14	19.54	18.93
8901358	KG80T213/04E	80A	3	30.47	29.56	28.64
8901151	KG100T213/04E	100A	3	37.86	36.72	35.59
8901184	KG126T203GBA005E	125A	3 + AUX	87.33	84.71	82.09
8901199	KG161T203GBA005E	160A	3 + AUX	106.45	103.26	100.06
8901175	KG10BT214/04E	20A	4	12.28	11.91	11.54
8901229	KG20BT214/04E	25A	4	14.87	14.42	13.98
8901283	KG32BT214/04E	32A	4	17.73	17.20	16.67
8901310	KG41BT214/04E	40A	4	20.52	19.90	19.29
8901337	KG64BT214/04E	63A	4	24.58	23.84	23.11
8901364	KG80T214/04E	80A	4	37.53	36.40	35.28
8901157	KG100T214/04E	100A	4	47.26	45.84	44.42
8901190	KG126T204GBA006E	125A	4 + AUX	109.50	106.22	102.93
8901205	KG161T204GBA006E	160A	4 + AUX	135.12	131.07	127.01

## 3 Pole Isolators DIN or Base Mounting



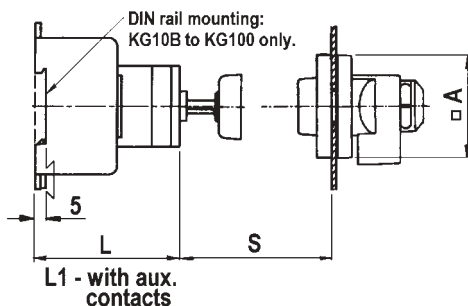
A range of high quality 3 pole DIN rail or base mounted switch disconnectors, padlockable in the 'OFF' position. 2 N/O (early break) and 2 N/C auxiliary contacts are incorporated in all switches above 100 Amp. All switches are 4 hole mounting and are interlocked to prevent door opening whilst the switch is 'ON'. All switches are protected to IP65. Fingerproof terminals on the 20 - 63 Amp although live terminal shrouds are also available.

Rated Current (A)	20	25	32	40	63	80	100	125	160	250	315
No. of poles	3	3	3	3	3	3	3	3	3	3	3
Auxiliary switches (2NO+2NC)	NO	NO	NO	NO	NO	NO	NO	YES	YES	YES	YES
Rated insulation voltage (V)	690	690	690	690	690	690	690	1000	1000	1000	1000
Motor rating, AC23A (kW)	5.5	7.5	11	15	22	30	37	45	55	90	110
Max. cable size (sq. mm)	2.5	6	6	16	16	35	35	95	95	185	185
Conforms to	IEC 60 947, IEC 60 204, BS EN 60 947, BS EN 60 204										
Dimensions (mm)											
A	64	64	64	64	64	64	64	88	88	88	88
B	48	48	48	48	48	48	48	68	68	68	68
D1	22	22	22	22	22	22	22	27	27	27	27
D2	5	5	5	5	5	5	5	6	6	6	6
L	56.2	50	50	61	61	68	68	91	91	98	98
L1	65.7	59	59	71	71	78	78	91	91	98	98
S	35-118	32-125	32-125	35-132	35-132	35-130	35-130	50-309	50-309	50-309	50-309
Length	48	42	42	50	50	70	70	112	112	145	145
Width	50	54	54	64	64	80	80	190	190	219	219

**Note:** Width dimension includes terminal cover for the 125A to 315A switches. For the 80A and 100A, add 26mm on the side that the cover is fitted.

Base mounting switches are available with alternative operating shafts, either longer than the types shown in this catalogue or with fixed shaft lengths to suit customer applications. Please contact sales.

Fully rated side mounted neutral terminal blocks, side mounted auxiliary contacts and side mounted earth terminals are available. Please refer to relevant sections.



Stock No.	Manf Ref'	Current	No. Poles	Unit Price		
				1-4	5-9	10-24
8901172	KG10BT213/65VE	20A	3	15.76	15.29	14.81
8901226	KG20BT213/65VE	25A	3	18.79	18.23	17.66
8901280	KG32BT213/65VE	32A	3	21.00	20.37	19.74
8901307	KG41BT213/65VE	40A	3	24.02	23.30	22.58
8901334	KG64BT213/65VE	63A	3	27.51	26.68	25.86
8901361	KG80T213/65VE	80A	3	40.91	39.68	38.46
8901154	KG100T213/65VE	100A	3	48.31	46.86	45.41
8901181	KG126T203GBA003VE	125A	3 + AUX	94.79	91.95	89.10
8901196	KG161T203GBA003VE	160A	3 + AUX	113.89	110.47	107.06
8901241	KG251T203GBA003VE	250A	3 + AUX	150.20	145.69	141.19
8901253	KG316T203GBA003VE	315A	3 + AUX	182.71	177.23	171.75

## 4 Pole Isolator DIN or Base Mounting



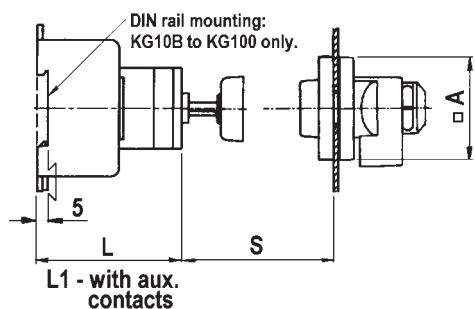
A range of high quality 4 pole DIN rail or base mounted switch disconnectors, padlockable in the 'OFF' position. 2 N/O (early break) and 2 N/C auxiliary contacts are incorporated in all switches above 100 Amp. All switches handles are 4 hole mounting and are interlocked to prevent door opening whilst the switch is 'ON'. All switches are protected to IP65. Fingerproof terminals on the 20 - 63 Amp although live terminal shrouds are also available.

Rated Current (A)	20	25	32	40	63	80	100	125	160	250	315
No. of poles	4	4	4	4	4	4	4	4	4	4	4
Auxiliary switches (2NO+2NC)	NO	NO	NO	NO	NO	NO	NO	YES	YES	YES	YES
Rated insulation voltage (V)	690	690	690	690	690	690	690	1000	1000	1000	1000
Motor rating, AC23A (kW)	5.5	7.5	11	15	22	30	37	45	55	90	110
Max. cable size (sq. mm)	2.5	6	6	16	16	35	35	95	95	185	185
Conforms to	IEC 60 947, IEC 60 204, BS EN 60 947, BS EN 60 204										
<b>Dimensions (mm)</b>											
A	64	64	64	64	64	64	64	88	88	88	88
B	48	48	48	48	48	48	48	68	68	68	68
D1	22	22	22	22	22	22	22	27	27	27	27
D2	5	5	5	5	5	5	5	6	6	6	6
L	56.2	50	50	61	61	68	68	91	91	98	98
L1	65.7	59	59	71	71	78	78	91	91	98	98
S	35-118	32-125	32-125	35-132	35-132	35-130	35-130	50-309	50-309	50-309	50-309
Length	48	55.5	55.5	66	66	92	92	150	150	187.5	187.5
Width	50	54	54	64	64	80	80	190	190	219	219

**Note:** Width dimension includes terminal cover for the 125A to 315A switches. For the 80A and 100A, add 26mm on the side that the cover is fitted.

Base mounting switches are available with alternative operating shafts, either longer than the types shown in this catalogue or with fixed shaft lengths to suit customer applications. Please contact sales.

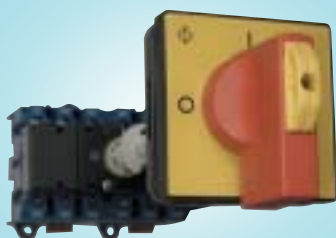
Fully rated side mounted neutral terminal blocks, side mounted auxiliary contacts and side mounted earth terminals are available. Please refer to the relevant sections.



Stock No.	Manf Ref'	Current	No. Poles	Unit Price		
				1-4	5-9	10-24
8901178	KG10BT214/65VE	20A	4	18.26	17.71	17.16
8901232	KG20BT214/65VE	25A	4	21.50	20.86	20.21
8901286	KG32BT214/65VE	32A	4	24.15	23.43	22.70
8901313	KG41BT214/65VE	40A	4	27.56	26.73	25.91
8901340	KG64BT214/65VE	63A	4	31.75	30.80	29.85
8901367	KG80T214/65VE	80A	4	47.57	46.14	44.72
8901160	KG100T214/65VE	100A	4	57.32	55.60	53.88
8901187	KG126T204GBA004VE	125A	4 + AUX	116.95	113.44	109.93
8901202	KG161T204GBA004VE	160A	4 + AUX	142.56	138.28	134.01
8901247	KG251T204GBA004VE	250A	4 + AUX	186.90	181.29	175.69
8901259	KG316T204GBA004VE	315A	4 + AUX	230.09	223.19	216.28

16 >

## 6 Pole Isolator DIN or Base Mounting



A range of high quality 6 pole DIN rail or base mounted switch disconnectors, padlockable in the 'OFF' position. 25 and 32Amp have 1 N/O + 1 N/C auxiliary contacts, 40 - 100Amp have 2 N/O (early break) auxiliary contacts, incorporated. All switches handles are 4 hole mounting and are interlocked to prevent door opening whilst the switch is 'ON'. All switches are protected to IP65. Fingerproof terminals on the 20 - 63 Amp although live terminal shrouds are also available.

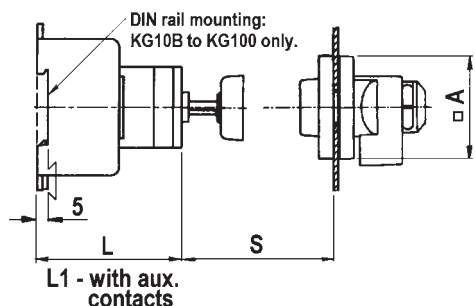
Rated Current (A)	25	32	40	63	80	100
No. of poles	6	6	6	6	6	6
Auxiliary switches	1N/O+1N/C	1N/O+1N/C	2N/O	2N/O	2N/O	2N/O
Rated insulation voltage (V)	690	690	690	690	690	690
Motor rating, AC23A (kW)	7.5	11	15	22	30	37
Max. cable size (sq. mm)	6	6	16	16	35	35
Conforms to	IEC 60 947, IEC 60 204, BS EN 60 947, BS EN 60 204					
<b>Dimensions (mm)</b>						
A	64	64	64	64	64	64
B	48	48	48	48	48	48
D1	22	22	22	22	22	22
D2	5	5	5	5	5	5
L	57.5	57.5	67	67	79.2	79.2
L1	66.5	66.5	77	77	89.2	89.2
S	32-125	32-125	35-132	35-132	35-130	35-130
Length	84	84	100	100	140	140
Width	54	54	64	64	80	80

**Note:** For the 80A and 100A, add 26mm on the side that the cover is fitted.

Factory fitted auxiliary contacts are integral with the main switch body, except for the 25A and 32A, which have a side mounted auxiliary block fitted.

Base mounting switches are available with alternative operating shafts, either longer than the types shown in this catalogue or with fixed shaft lengths to suit customer applications. Please contact sales.

Fully rated side mounted neutral terminal blocks, side mounted auxiliary contacts and side mounted earth terminals are available. Please refer to the relevant sections.



Stock No.	Manf Ref'	Current	No. Poles	Unit Price		
				1-4	5-9	10-24
8901220	KG20BT206/GBA090VE	25A	6 + AUX	30.24	29.33	28.43
8901274	KG32BT206/GBA090VE	32A	6 + AUX	34.47	33.44	32.40
8901298	KG41BT206/GBA195VE	40A	6 + AUX	37.54	36.41	35.29
8901325	KG64BT206/GBA195VE	63A	6 + AUX	44.52	43.18	41.85
8901352	KG80T206/GBA195VE	80A	6 + AUX	73.22	71.02	68.83
8901145	KG100T206/GBA195VE	100A	6 + AUX	88.00	85.36	82.72

**Side Mounted Auxiliary Contacts**



Side mounted auxiliary contacts (1 N/O + 1 N/C) for panel and base mounted switch disconnectors.

Panel mounted	Switch	Aux. contact rating
K0 H010/A11-E	20A, 30A	10A
K1 H010/A11-E	40A, 63A	16A
K2 H010/A11-E	80A, 100A	16A
Base mounted		
K0 H010/A11-VE	20A, 30A	10Amp
K1 H010/A11-VE	40A, 63A	16A
K2 H010/A11-VE	80A, 100A	16A

Stock No.	Manf Ref'	Type	Unit Price		
			1-4	5-9	10-24
8901079	K0 H010/A11-E	PANEL MT 10A	4.96	4.81	4.66
8901097	K1 H010/A11-E	PANEL MT 16A	5.36	5.20	5.04
8901115	K2 H010/A11-E	PANEL MT 16A	6.95	6.74	6.53
8901082	K0 H010/A11-VE	BASE MT 10A	4.96	4.81	4.66
8901100	K1 H010/A11-VE	BASE MT 16A	5.36	5.20	5.04
8901118	K2 H010/A11-VE	BASE MT 16A	6.95	6.74	6.53

**Side Mounted Neutral Terminals**



Fully rated, side mounted neutral terminals for for panel and base mounted switch disconnectors.

Panel and Base mounted	Switch
K0 H053/A	20A, 30A
K1 H053/B	40A, 63A
K2 H053/C	80A, 100A

Stock No.	Manf Ref'	Switch Rating	Unit Price		
			1-4	5-9	10-24
8901088	K0 H053/A	20A-30A	2.18	2.11	2.05
8901106	K1 H053/B	40A-63A	2.78	2.70	2.61
8901124	K2 H053/C	80A-100A	4.37	4.24	4.11

**Side Mounted Earth Terminals**



Fully rated side mounted earth terminals for for panel and base mounted switch disconnectors.

Panel and Base mounted	Switch
K0 H052/A	20A, 30A
K1 H052/B	40A, 63A
K2 H052/C	80A, 100A

Stock No.	Manf Ref'	Switch Rating	Unit Price		
			1-4	5-9	10-24
8901085	K0 H052/A	20A-30A	2.18	2.11	2.05
8901103	K1 H052/B	40A-63A	2.78	2.70	2.61
8901121	K2 H052/C	80A-100A	4.37	4.24	4.11

**Terminal Covers**



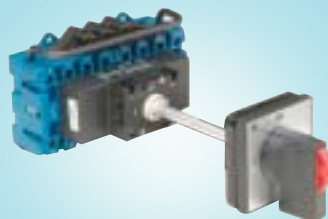
Terminal covers for shrouding one side of the switch on panel and base mounted switch disconnectors. Available in 3 and 4 contact versions.

S0 M160/A12 K2	3 main contacts	20A
K0 M160/3	3 main contacts	25A, 32A
K1 M160/3	3 main contacts	40A, 63A
K2 M160/3	3 main contacts	80A, 100A
S0 M160/A12 K2	4 main contacts	20A
K0 M160/4	4 main contacts	25A, 32A
K1 M160/4	4 main contacts	40A, 63A
K2 M160/4	4 main contacts	80A, 100A

Stock No.	Manf Ref'	Switch Rating	Unit Price		
			1-4	5-9	10-24
8901373	S0 M160/A12K2	20A	1.36	1.32	1.28
8901091	K0 M160/3	25A, 32A	0.79	0.77	0.74
8901109	K1 M160/3	40A, 63A	0.99	0.96	0.93
8901127	K2 M160/3	80, 100A	1.39	1.35	1.31
8901373	S0 M160/A12K2	20A	1.36	1.32	1.28
8901094	K0 M160/4	25A, 32A	0.99	0.96	0.93
8901112	K1 M160/4	40A, 63A	1.29	1.25	1.21
8901130	K2 M160/4	80A, 100A	1.79	1.74	1.68

<< 16

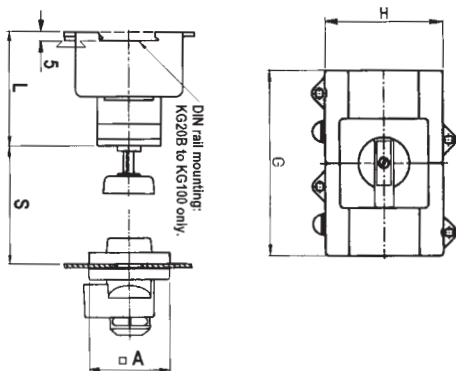
## 4 Pole Changeover Switch Centre Off



Three position 4 pole switches with 2 auxiliaries (early break), for changing between alternative supplies. These devices are typically used to change between primary power supplies to a standby generator or emergency supply in the event of power outage. All switches are interlocked to prevent door opening whilst the switch is 'ON'. All switches are protected to IP65. Fingerproof terminals on the 20 - 63 Amp.

Rated Current (A)	25	32	40	63	80	100	125	160
No. of poles	4	4	4	4	4	4	4	4
Auxiliary switches	2	2	2	2	2	2	2	2
Rated insulation voltage (V)	690	690	690	690	690	690	1000	1000
Motor rating, AC23A (kW)	5.5	7.5	11	15	22	30	45	55
Max. cable size (sq. mm)	6	6	16	16	35	35	95	95
Conforms to	IEC 60 947, IEC 60 204, BS EN 60 947, BS EN 60 204							
Dimensions (mm)								
A	64	64	64	64	64	64	88	88
B	48	48	48	48	48	48	68	68
D1	22	22	22	22	22	22	27	27
D2	5	5	5	5	5	55	6	6
L	66.5	66.5	77	77	89.2	89.2	93	93
S	32-125	32-125	35-132	35-132	35-130	35-130	50-199	50-199
Length	111	111	132	132	184	184	300	300
Width	54	54	64	64	80	80	109	109

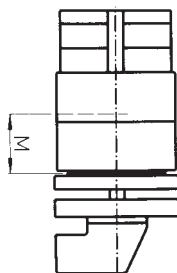
**Note:** 2 volt free, early break, auxiliary contacts are provided with each changeover switch. One of these contacts closes in position 1 and the other contact closes in position 2. Both contacts are open in the 'OFF' position. Factory fitted auxiliary contacts are integral with the main switch body, they are not the side mounting type.



Stock No.	Manf Ref'	Current	No. Poles	Unit Price		
				1-4	5-9	10-24
8901238	KG20BT904/GBA006VE	25A	4 + AUX	35.26	34.20	33.14
8901289	KG32BT904/GBA006VE	32A	4 + AUX	40.92	39.69	38.46
8901316	KG41BT904/GBA006VE	40A	4 + AUX	49.77	48.28	46.78
8901343	KG64BT904/GBA006VE	63A	4 + AUX	58.69	56.93	55.17
8901370	KG80T904/GBA006VE	80A	4 + AUX	98.73	95.77	92.81
8901163	KG100T904/GBA006VE	100A	4 + AUX	118.20	114.65	111.11
8901193	KG127T904/GBA006VE	125A	4 + AUX	224.85	218.10	211.36
8901208	KG162T904/GBA006VE	160A	4 + AUX	276.05	267.77	259.49

16 >

## Power Failure Switch 4 Pole



Dimension 'M' = 31.5mm

Panel mounted undervoltage safety switch with padlock facility, designed to open the switch contacts upon power failure and will prevent equipment from restarting automatically. Switch must be manually reset with supplies restored to continue. Switch is supplied complete with switch body, escutcheon plate and handle.

Coil supply	220-240V at 50Hz
Undervoltage release	70% of nominal voltage
Contact rating	20 Amp
Motor rating AC-23A	7.5kW
Switching voltage	690V
Switch positions	60° to the right of centre 'OFF'
Escutcheon	64 x 64mm
Conforms to	IEC 947-3, VDE 0660 part 107

Stock No.	Manf Ref'	Type	Unit Price		
			1-4	5-9	10-24
8901376	CA10Y-SP1	4 POLE	33.97	32.95	31.93

DIN rail mounting:  
KG10B to KG100 only.