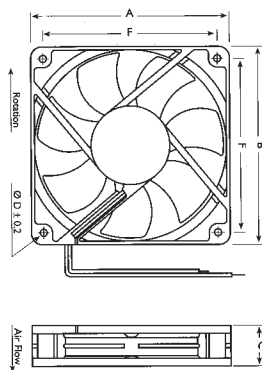


80mm x 25mm Slimline Fans, AC & DC



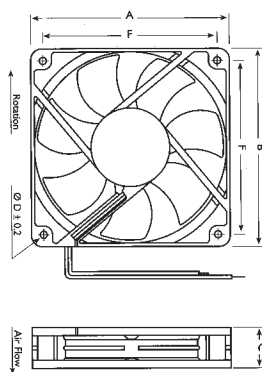
A = 80, B = 80, C = 25, D = 4.5, F = 71.5

Powerful compact axial fans in an industry standard casing. Connection via wire leads 250mm long.

Voltage (50/60Hz)	12VDC	24VDC	110VAC	230VAC
Air Flow (m ³ / h)	67.3	67.3	36	40
Power input (watts)	3	3.84	14	14
Rated speed (RPM)	3100	3100	3000	2500
Noise (dBA)	34.4	34.4	35	33
Bearings	Ball	Ball	Ball	Ball
Casing	DC (PBT, black), AC (aluminium alloy, black)			
Impeller	Black fibreglass reinforced plastic, UL94V-0			
Temperature	DC (-20°C to +70°C), AC (-40°C to +70°C)			
Life expectancy	DC (70,000 hours), AC (40,000 hours)			
Approvals	UL, CUL			

Stock No.	Manf Ref'	Type	Bearings	Unit Price		
				1-9	10-24	25+
7801007	D08A04HWP	12VDC	BALL	11.85	11.02	10.07
7801010	D08A05HWP	24VDC	BALL	11.85	11.02	10.07
7801013	A08A12HWP	110VAC	BALL	12.86	11.96	10.93
7801016	A08A23HWP	230VAC	BALL	12.86	11.96	10.93

80mm x 38mm Fans, AC



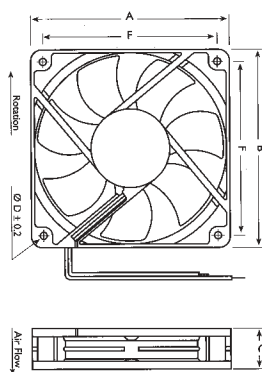
A = 80, B = 80, C = 38, D = 4.5, F = 71.5

Powerful compact axial fans in an industry standard casing. Connection via wire leads 250mm long.

Voltage (50/60Hz)	110VAC	230VAC
Air Flow (m ³ / h)	48	40
Power input (watts)	12	14
Rated speed (RPM)	3000	2500
Noise (dBA)	36	33
Bearings	Sleeve or Ball	Sleeve or Ball
Casing	Aluminium alloy die casting, painted black	
Impeller	Black fibreglass reinforced plastic, UL94V-0	
Temperature	-40°C to +70°C	
Life expectancy	40,000 hours (ball), 30,000 hours (sleeve)	
Approvals	UL, CUL	

Stock No.	Manf Ref'	Type	Bearings	Unit Price		
				1-9	10-24	25+
7801019	A08B12HWS	110VAC	SLEEVE	11.00	10.23	9.35
7801022	A08B23HWS	230VAC	SLEEVE	11.00	10.23	9.35
7801025	A08B12HWP	110VAC	BALL	14.09	13.10	11.98
7801028	A08B23HWP	230VAC	BALL	14.09	13.10	11.98

92mm x 25mm Slimline Fans AC & DC



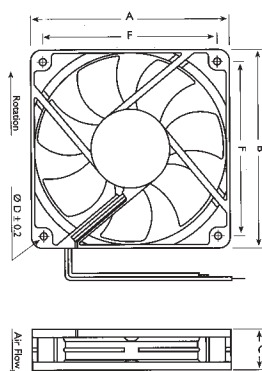
A = 92, B = 92, C = 25, D = 4.5, F = 82.5

Powerful compact axial fans in an industry standard casing. AC fans are connected via 2 x 2.8mm push-ons which will also accept a pre-wired power lead (915mm), DC fans connected via wire leads (250mm long).

Voltage (50/60Hz)	12VDC	24VDC	110VAC	230VAC
Air Flow (m ³ / h)	89.3	89.3	62	50
Power input (watts)	3.0	3.6	14	16
Rated speed (RPM)	2900	2900	2800	2400
Noise (dBA)	35	35	36	32
Bearings	Ball	Ball	Ball	Ball
Casing	DC (PBT, black), AC (aluminium alloy, black)			
Impeller	Black fibreglass reinforced plastic, UL94V-0			
Temperature	DC (-20°C to +70°C), AC (-40°C to +70°C)			
Life expectancy	DC (70,000 hours), AC (40,000 hours)			
Approvals	UL, CUL			

Stock No.	Manf Ref'	Type	Bearings	Unit Price		
				1-9	10-24	25+
7801031	D09A04HWP	12VDC	BALL	13.50	12.56	11.48
7801034	D09A05HWP	24VDC	BALL	13.50	12.56	11.48
7801037	A09A12HTB	110VAC	BALL	13.50	12.56	11.48
7801040	A09A23HTB	230VAC	BALL	13.50	12.56	11.48
7801001	C36	AC POWER LEAD		1.50	1.40	1.28

92mm x 38mm Fans, AC



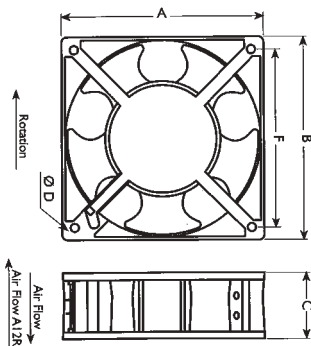
A = 92, B = 92, C = 38, D = 4.3, F = 82.5

Powerful compact axial fans in an industry standard casing. Connection via wire leads 250mm long.

Voltage (50/60Hz)	110VAC	230VAC
Air Flow (m ³ / h)	76	64
Power input (watts)	8	9
Rated speed (RPM)	2800	2400
Noise (dBA)	38	33
Bearings	Ball	
Casing	Aluminium alloy die casting, painted black	
Impeller	Black fibreglass reinforced plastic, UL94V-0	
Temperature	-40°C to +70°C	
Life expectancy	40,000 hours	
Approvals	UL, CUL, (pending)	

Stock No.	Manf Ref'	Type	Bearings	Unit Price		
				1-9	10-24	25+
7801043	A09B12HWP	110VAC	BALL	19.05	17.72	16.19
7801046	A09B23HWP	230VAC	BALL	19.05	17.72	16.19

120 x 25mm Slimline Fans AC



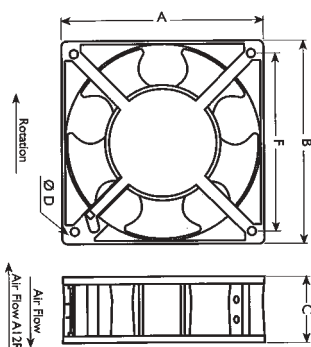
A = 120, B = 120, C = 25, D = 4.2, F = 104.8

Powerful compact axial fans in a industry standard casing. Connection via 2 x 2.8mm push-ons which will also accept a pre-wired power lead.

Voltage (50/60Hz)	110VAC	230VAC
Air Flow (m ³ / h)	118	100
Power input (watts)	14	16
Rated speed (RPM)	2500	2200
Noise (dBA)	42	38
Bearings	Sleeve or Ball	
Casing	Aluminium alloy die casting, painted black	
Impeller	Black fibreglass reinforced plastic, UL94V-0	
Temperature	-40°C to +70°C	
Life expectancy	40,000 hours (ball), 30,000 hours (sleeve)	
Power lead	6 amp max., 915mm length	
Approvals	UL, CUL	

Stock No.	Manf Ref ¹	Type	Bearings	Unit Price		
				1-9	10-24	25+
7801049	A12A12HTB	110VAC	BALL	14.30	13.30	12.16
7801052	A12A23HTB	230VAC	BALL	14.30	13.30	12.16
7801055	A12A23HTS	230VAC	SLEEVE	11.50	10.70	9.78
7801001	C36	AC POWER LEAD		1.50	1.40	1.28

120mm x 38mm Fans AC & DC



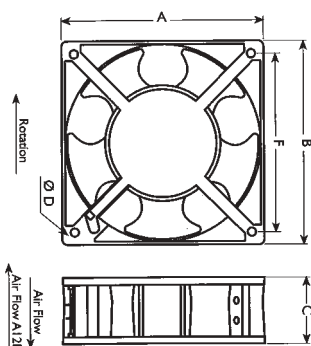
A = 120, B = 120, C = 38, D = 4.3, F = 105

Powerful compact axial fans in an industry standard casing. AC fans are connected either via 2 x 2.8mm push-ons which will also accept a pre-wired power lead (915mm) or via 250mm wire leads, DC fans connected via wire leads (250mm length).

Voltage (50/60Hz)	12VDC	24VDC	110VAC	230VAC
Air Flow (m ³ / h)	178	178	167	150
Power input (watts)	6	7.68	20	23
Rated speed (RPM)	2800	2800	2950	2650
Noise (dBA)	42.8	42.8	48	43
Bearings	Ball (DC models), Ball or sleeve (AC models)			
Casing	DC (PBT, black), AC (aluminium alloy, black)			
Impeller	Black fibreglass reinforced plastic, UL94V-0			
Temperature	DC (-20°C to +70°C), AC (-40°C to +70°C)			
Life expectancy (hours)	DC 70,000, AC 40,000 (ball), 30,000 (sleeve)			
Power lead AC	6 amp max. 915mm length			
Approvals	UL, CUL, VDE			

Stock No.	Manf Ref ¹	Type	Bearings	Connection	Unit Price		
					1-9	10-24	25+
7801058	D12B04HWP	12VDC	BALL	250MM WIRE LEAD	15.00	13.95	12.75
7801061	D12B05HWP	24VDC	BALL	250MM WIRE LEAD	15.00	13.95	12.75
7801067	A12B12HWP	110VAC	BALL	250MM WIRE LEAD	13.10	12.18	11.14
7801064	A12B12HTB	110VAC	BALL	2 X 2.8MM PUSH-ONS	13.10	12.18	11.14
7801076	A12B12HTS	110VAC	SLEEVE	2 X 2.8MM PUSH-ONS	11.30	10.51	9.61
7801070	A12B23HWP	230VAC	BALL	250MM WIRE LEAD	13.10	12.18	11.14
7801073	A12B23HTB	230VAC	BALL	2 X 2.8MM PUSH-ONS	13.10	12.18	11.14
7801079	A12B23HTS	230VAC	SLEEVE	2 X 2.8MM PUSH-ONS	11.30	10.51	9.61
7801001	C36	AC POWER LEAD			1.50	1.40	1.28

127mm x 38mm Fans, AC



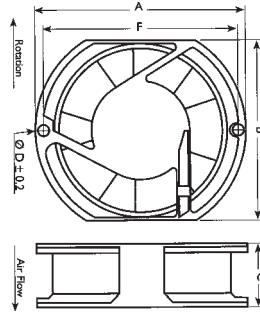
A = 127, B = 127, C = 38, D = 4.6, F = 113.3

High performance fan constructed from flame retardant polycarbonate. Connection via 2 x 2.8mm push-ons which will also accept a pre-wired power lead.

Voltage (50/60Hz)	230VAC, also available in 110VAC 60Hz		
Air Flow (m ³ / h)	188		
Power input (watts)	23		
Rated speed (RPM)	2700		
Noise (dBA)	43		
Bearings	Ball		
Casing	Aluminium alloy die casting, painted black		
Impeller	Black fibreglass reinforced plastic, UL94V-0		
Temperature	-40°C to +70°C		
Life expectancy	40,000 hours		
Power lead	6 amp max., 915mm length		
Approvals	UL		

Stock No.	Manf Ref ¹	Type	Bearings	Unit Price		
				1-9	10-24	25+
7801082	A13B23HTB	230VAC	BALL	19.05	17.72	16.19
7801001	C36	POWER LEAD		1.50	1.40	1.28

172 x 150 x 38mm Fans, AC



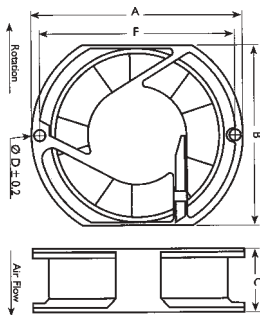
A = 172, B = 150, C = 38, D = 4.6, F = 162

High performance equipment cooling fans with sealed ball bearings for mounting in any position. Connection via 2 x 2.8mm push-ons which will also accept a pre-wired power lead. Permanent capacitor motor.

Voltage (50/60Hz)	110VAC	230VAC
Air Flow (m ³ / h)	320	320
Power input (watts)	26	26
Rated speed (RPM)	2800	2800
Noise (dBA)	55	55
Bearings	Ball	Ball
Casing	Aluminium alloy die casting, painted black	
Impeller	Black fibreglass reinforced plastic, UL94V-0	
Temperature	-40°C to +70°C	
Life expectancy	40,000 hours	
Power lead	6 amp max., 915mm length	
Approvals	UL, CUL	

Stock No.	Manf Ref'	Type	Bearings	Unit Price		
				1-9	10-24	25+
7801088	C17B12HTB	110VAC	BALL	36.23	33.69	30.80
7801085	C17B23HTB	230VAC	BALL	36.23	33.69	30.80
7801001	C36	POWER LEAD		1.50	1.40	1.28

172 x 150 x 51mm Fan, AC



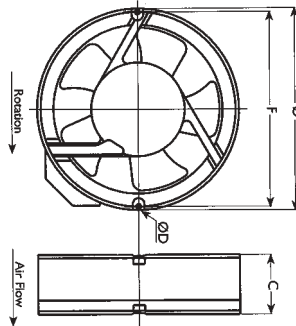
A = 172, B = 150, C = 51, D = 4.5, F = 162

High performance equipment cooling fans. The A17 has a shaded pole motor with pre-wired trailing leads. The C17 has a capacitor run induction motor connected via 2 x 2.8mm push-ons which will also accept a pre-wired power lead. 110VAC models also available.

Type	A17C23HWB	C17C23HTB
Air Flow (m ³ / h)	300	330
Power input (watts)	37	29
Rated speed (RPM)	2500	2800
Noise (dBA)	51	53
Bearings	Ball	Ball
Casing	Aluminium alloy die casting, painted black	
Impeller	Black fibreglass reinforced plastic, UL94V-0	
Temperature	-40°C to +70°C	
Life expectancy	40,000 hours	
Power lead	6 amp max., 915mm length	
Approvals	UL	

Stock No.	Manf Ref'	Type	Bearings	Unit Price		
				1-9	10-24	25+
7801091	A17C23HWB	230VAC	BALL	32.50	30.23	27.63
7801094	C17C23HTB	230VAC	BALL	39.00	36.27	33.15
7801001	C36	POWER LEAD		1.50	1.40	1.28

Ø 172 x 51mm Fan, AC



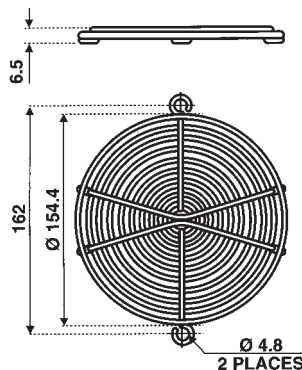
A = Ø172, C = 51, D = 4.5, F = 162

High performance equipment cooling fans in a Ø172mm circular housing. Connection via 2 x 2.8mm push-ons which will also accept a pre-wired power lead.

Voltage (50/60Hz)	230VAC, also available in 110VAC 60 Hz
Air Flow (m ³ / h)	330
Power input (watts)	29
Rated speed (RPM)	2800
Noise (dBA)	50
Bearings	Ball
Casing	Aluminium alloy die casting, painted black
Impeller	Black fibreglass reinforced plastic, UL94V-0
Temperature	-40°C to +70°C
Life expectancy	40,000 hours
Power lead	6 amp max., 915mm length
Approvals	UL

Stock No.	Manf Ref'	Type	Bearings	Unit Price		
				1-9	10-24	25+
7801097	C18C23HTB	230VAC	BALL	37.73	35.09	32.07
7801001	C36	POWER LEAD		1.50	1.40	1.28

Metal Fan Guards



Typical Dimensions for MFG150mm Guard

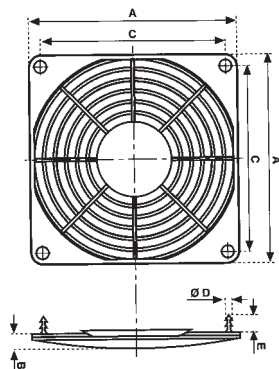
Metal fan guards which will provide IP20 protection from moving parts.

Material	Steel wire
Finishing	Nickel-chrome plated

Note:
All fan guards are 4 hole fixing except for the 150mm which is 2 hole fixing.
MFG150S fan guard is suitable for the 170 x 150 fans.

Stock No.	Manf Ref'	Type	Unit Price		
			1-9	10-24	25+
7801100	MFG80	80MM GUARD	2.05	1.91	1.74
7801103	MFG92	92MM GUARD	2.05	1.91	1.74
7801106	MFG120	120MM GUARD	2.10	1.95	1.79
7801109	MFG127	127MM GUARD	2.50	2.33	2.13
7801112	MFG150	150MM GUARD	2.75	2.56	2.34
7801250	MFG150S	150MM GUARD	2.75	2.56	2.39

Plastic Fan Guards
'Push-on' Type



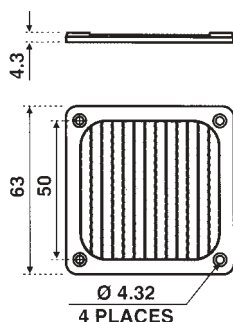
Typical Dimensions for 80mm Fan
A = 80mm, C = 71.5mm

Plastic fan guards for compact fans. Installation is by push-on inverted cone fasteners which bypasses the need for screws. Provides IP20 protection from moving parts.

Material Self extinguishing ABS, UL94V-0
Colour Black, RAL 9005

Stock No.	Manf Ref'	Type	Unit Price		
			1-9	10-24	25+
7801124	G80S	80MM PLASTIC GUARD	1.75	1.63	1.49
7801127	G120S	120MM PLASTIC GUARD	1.95	1.81	1.66

Stainless Steel Mesh
Filters



Typical Dimensions for 80mm Fan

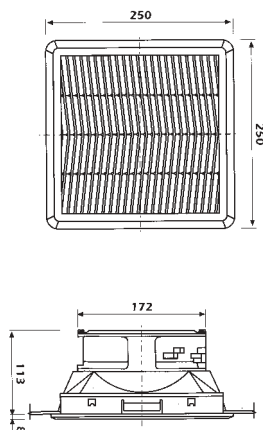
Metal guards for compact fans. They will provide shielding against EMI/RFI disturbances. IP20 protection from moving parts.

Material Aluminium frame
Colour Natural
Net material 30 x 30 stainless steel

Note: The filter must be in direct contact with the equipments metal structure to provide a true conductive path. Filters can be washed with solvents or de-greasers without negative effects.

Stock No.	Manf Ref'	Type	Unit Price		
			1-9	10-24	25+
7801115	FM80	80MM EMC GUARD	2.75	2.56	2.34
7801118	FM92	92MM EMC GUARD	2.95	2.74	2.51
7801253	FM150	150MM EMC GUARD	3.40	3.16	2.96

Fan Filter Units



FPF15KMR230B dimensions

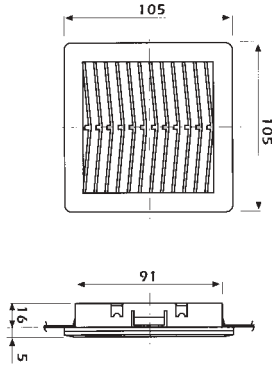
Flush mounting fan filters ideal for thermal control of switchgear cabinets and electronic systems. Snap-fit mounting into a single square hole without any additional screws. All filter materials are washable and can be changed whilst the fan is operating.

Voltage (50/60Hz) 230VAC, (115VAC models also available)
Air flow Outside to inside of the cabinet (reversed air flow filter fans are available, please enquire)
Bearings Ball
IP Rating IP54 (IP55 available in FPF15, FPF20)
Housing material ABS/PC alloy (blend), UL94V-0
Colour Grey, RAL7032
Filter material Thermolinked synthetic fibre
Temperature -20°C to +70°C
FPF20 -20°C to +50°C
Connections Terminal block with screw terminals

• 400V 3 phase filter fans are also available In FPF20 models

Stock No.	Manf Ref'	Type	Air Flow	Noise	Input	Panel Cut-out	Depth behind Panel	Unit Price		
								1-9	10-24	25+
7801199	FPF08KR230B	FILTER FAN	23 (m ³ /h)	40dB	10W	92 X 92MM	60MM	58.00	53.94	50.46
7801205	FPF12KR230B	FILTER FAN	57 (m ³ /h)	43dB	20W	125 X 125MM	71MM	62.00	57.66	53.94
7801214	FPF13KR230B	FILTER FAN	120 (m ³ /h)	41dB	23W	177 X 177MM	90MM	73.00	67.89	63.51
7801217	FPF15KMR230B	FILTER FAN	130 (m ³ /h)	41dB	23W	223 X 223MM	105MM	78.00	72.54	67.86
7801220	FPF15KR230B	FILTER FAN	240 (m ³ /h)	50dB	29W	223 X 223MM	113MM	89.00	82.77	77.43
7801226	FPF20KR230B	FILTER FAN	500 (m ³ /h)	65dB	67W	291 X 291MM	156MM	120.00	111.60	104.40
7801232	FPF20KGR230B	FILTER FAN	650 (m ³ /h)	71dB	118W	291 X 291MM	142MM	160.00	148.80	139.20

Filters

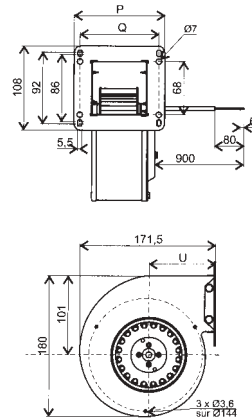
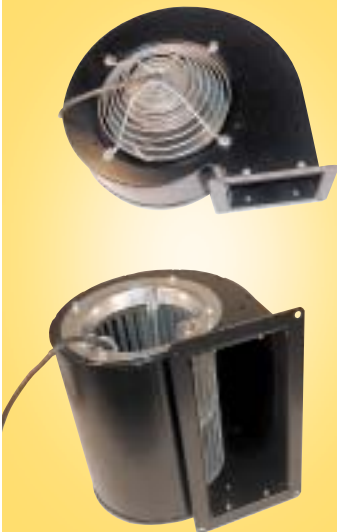


Matching air outlet filters will provide an exit or entry for circulating air through switchgear cabinets and electronic systems. The filters are made from synthetic fibre and are sealed to IP54. They provide an EU4 filtering degree with 94% separation to the DIN 24185 standard.

Spare media is also available, please enquire with sales.

Stock No.	Manf Ref'	Cut-out	Unit Price		
			1-9	10-24	25+
7801202	FPF08KRG	92MM ² FILTER	10.00	9.30	8.70
7801208	FPF12KRG	125MM ² FILTER	11.00	10.23	9.57
7801211	FPF13KRG	185MM ² FILTER	14.00	13.02	12.18
7801223	FPF15KRG	223MM ² FILTER	18.00	16.74	15.66
7801229	FPF20KRG	291MM ² FILTER	24.00	22.32	20.88

Single & Double Inlet Centrifugal Blowers



Dimensions for M03-19
Other fans are of larger dimension

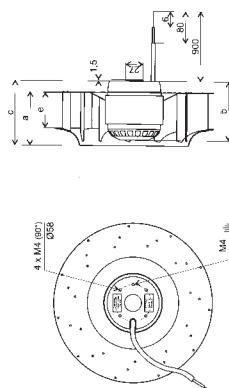
High performance blower with integrated external rotor motor and impeller allowing a compact design. Ball bearings ensure quiet and reliable operation with the fan mounted in any orientation. Windings are protected by thermal cut-out.

Voltage	230VAC, 50/60Hz
Max. air temperature	60°C
IP Rating	IP44
Scroll	Steel painted black
Impeller material	Galvanised steel
Impeller type	Forward curved multi-vane

Note:
 • To avoid motor overload the Y45-03 must be operated against a minimum static pressure of 400pascals, the N11-02 must be operated against a minimum static pressure of 150pascals, the R10-12 must be operated against a minimum static pressure of 210pascals.
 • 4 pole, low speed versions are available for low pressure, low noise applications.

Stock No.	Manf Ref'	Type	Max. Air Flow	Max. Pressure	Capacitor	Noise	Unit Price		
							1-9	10-24	25+
7801133	M03-19	SINGLE INLET	250 m ³ /h	320 Pascals	2 µF	55dBA	85.00	80.75	78.20
7801136	N05-48	SINGLE INLET	330 m ³ /h	350 Pascals	2 µF	51dBA	94.00	89.30	86.48
7801139	N05-56	SINGLE INLET	475 m ³ /h	480 Pascals	4 µF	58dBA	128.00	121.60	117.76
7801142	N05-58	SINGLE INLET	610 m ³ /h	540 Pascals	6 µF	67dBA	165.00	156.75	151.80
7801145	Y45-03	SINGLE INLET	690 m ³ /h	780 Pascals	8 µF	70dBA	185.00	175.75	170.20
7801148	Q02-08	DOUBLE INLET	395 m ³ /h	280 Pascals	2.5 µF	53dBA	95.00	90.25	87.40
7801151	N05-37	DOUBLE INLET	705 m ³ /h	420 Pascals	4 µF	54dBA	137.00	130.15	126.04
7801154	N11-02	DOUBLE INLET	800 m ³ /h	545 Pascals	6 µF	60dBA	149.00	141.55	137.08
7801157	R10-12	DOUBLE INLET	810 m ³ /h	670 Pascals	INCLUDED	59dBA	195.00	185.25	179.40

Backward Curved Centrifugal Fans

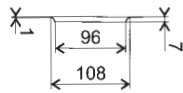


Very versatile fans which can be operated with or without a scroll housing. Ideal for systems which require a high pressure development.

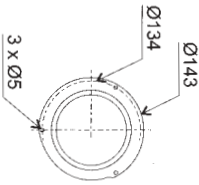
Manf. Ref	I06-18	T11-01	H06-16	H06-17
Diameter	Ø195	Ø220	Ø225	Ø250
Max. Air flow (m ³ /h)	545	900	1015	1480
Max. Pressure (pascals)	300	380	460	565
Capacitor (µF)	2	3	2.5	6
Noise (dBA)	60	69	68	74
Input power (W)	58	87	97	189
Max. air temperature	70°C	60°C	70°C	50°C
Impeller material	Plastic	Plastic	Galv steel	Galv steel
Impeller type	Backward curved multi-vane			
IP Rating	IP44			

Stock No.	Manf Ref'	Air Flow	Unit Price		
			1-9	10-24	25+
7801160	I06-18	545 m ³ /h	54.00	51.30	49.68
7801163	T11-01	900 m ³ /h	73.00	69.35	67.16
7801166	H06-16	1015 m ³ /h	88.00	83.60	80.96
7801169	H06-17	1480 m ³ /h	120.00	114.00	110.40

Inlet Rings for Backward Curve Fans



Dimensions for the P16043



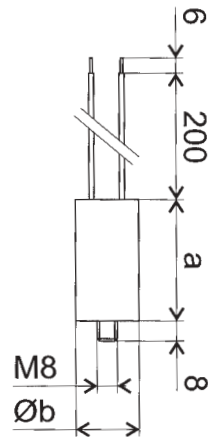
Inlet rings designed for use with backward curved fans to provide higher efficiency and quieter running.

P16043 use with the Ø195 BC fan
 P16133 use with the Ø220, Ø225 BC fans
 P16114 use with the Ø250 BC fan

Material Galvanised steel

Stock No.	Manf Ref'	Type	Unit Price		
			1-9	10-24	25+
7801172	P16043	INLET RING	3.50	3.33	3.22
7801175	P16133	INLET RING	4.50	4.28	4.14
7801178	P16114	INLET RING	8.50	8.08	7.82

Motor Run Capacitors

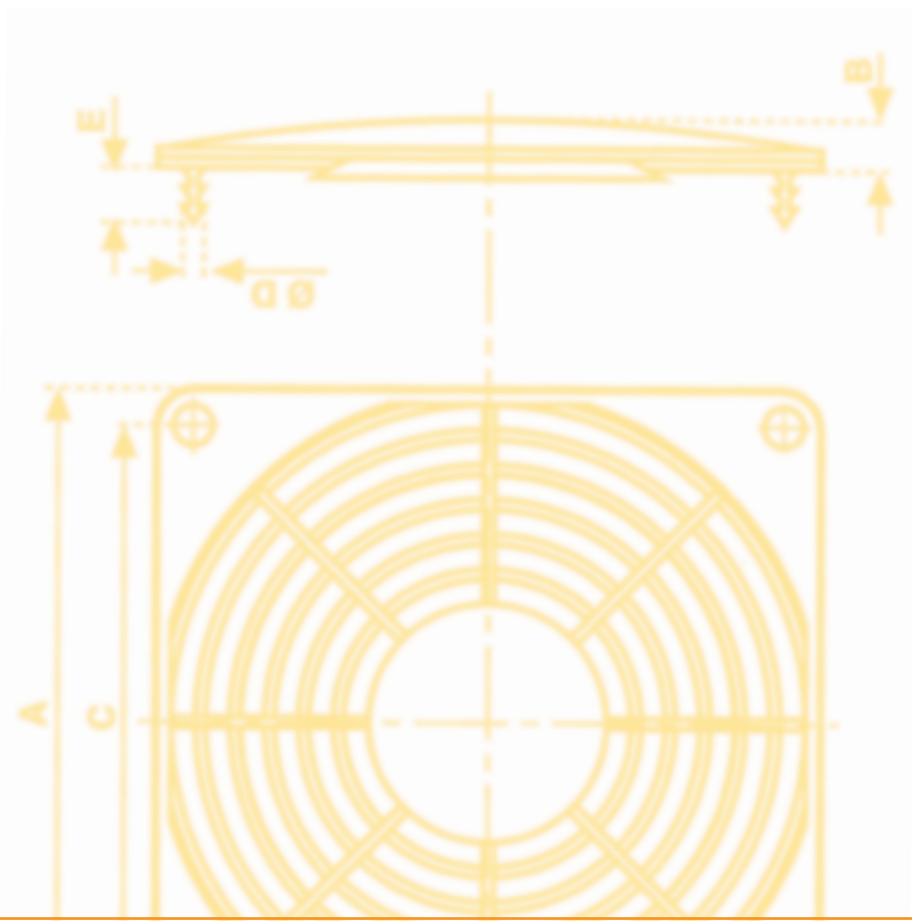


Motor start/run capacitors with lead wires, ABS case and M8 threaded stud for ease of mounting.

Max. voltage 400V
 Temperature -25°C to +85°C

Type	2µF	2.5µF	3µF	4µF	6µF	8µF
Length a (mm)	50	50	50	50	70	70
Diameter Øb (mm)	20	25	25	30	30	30

Stock No.	Manf Ref'	Type	Unit Price		
			1-9	10-24	25+
7801181	200PSC	2µF CAPACITOR	3.22	3.06	2.96
7801193	250PSC	2.5µF CAPACITOR	3.33	3.16	3.06
7801187	300PSC	3µF CAPACITOR	3.43	3.26	3.16
7801184	400PSC	4µF CAPACITOR	3.85	3.66	3.54
7801190	600PSC	6µF CAPACITOR	4.65	4.42	4.28
7801196	800PSC	8µF CAPACITOR	5.83	5.54	5.36



<11