

## Emergency Stop Switch XA series, 16mm



A new low profile range of emergency stop buttons suitable for 16mm cutouts. The behind the panel depth is only 27.9mm even with 4 n/c contacts. Available with choice of either 29mm or 40mm actuators. Connection is via solder terminals, pcb mounting versions are available. Safe break contacts are designed to open if the contact block becomes detached from operator.

Rated voltage	300Vac
Rated thermal current	3A at 230Vac 2A 30Vdc
Minimum load	1mA at 5Vdc
IP Rating	IP65
Approvals	UL

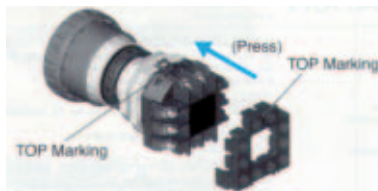
Stock No.	Manf Ref'	Connection, operator size, contacts	Unit Price		
			1-4	5-9	10-24
5502638	XA1E-BV302R	SOLDER TERM 29MM 2N/C	20.60	19.98	19.36
5502640	XA1E-BV304R	SOLDER TERM 29MM 4N/C	24.95	24.20	23.45
5502642	XA1E-BV311R	SOLDER TERM 29MM 1N/C + 1N/O	20.60	19.98	19.36
5502650	XA1E-BV302VR	PCB TERM 29MM 2N/C	20.60	19.98	19.36
5502644	XA1E-BV402R	SOLDER TERM 40MM 2N/C	22.30	21.63	20.96

## Emergency Stop Switch XW series, 22mm



A new low profile range of emergency stop buttons suitable for 22mm cutouts. The behind the panel depth is only 37.1mm even with 4n/c contacts. Available with choice of 40mm or 60mm actuators and 24V illumination. Connection is via screw terminals, pcb mounting versions are available. Safe break contacts designed to open if contact block is detached from the operator. Terminals may be specified with a factory fitted IP20 cover or without cover (W/T).

Rated voltage	300Vac
Rated thermal current	3A at 230Vac 2A 30Vdc
Minimum load	1mA at 5Vdc
IP Rating	IP65
Approvals	UL
LED supply	24Vac/dc 15mA

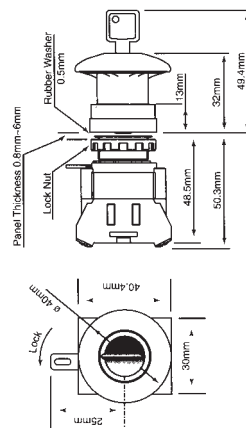


Stock No.	Manf Ref'	Connection, operator size, contacts	Unit Price		
			1-4	5-9	10-24
5502660	XW1E-BV402MFR	SCREW TERM IP20 40MM 2N/C	18.97	18.40	17.83
5502663	XW1E-BV413MFR	SCREW TERM IP20 40MM 3N/C + 1N/O	26.50	25.71	24.91
5502664	XW1E-BV404MR	SCREW TERM W/T 40MM 4N/C	26.80	26.00	25.19
5502666	XW1E-BV501MR	SCREW TERM W/T 60MM 1N/C	24.00	23.28	22.56
5502654	XW1E-BV402R	SOLDER TERM 40MM 2N/C	21.50	20.86	20.21
5502656	XW1E-BV404R	SOLDER TERM 40MM 4N/C	26.80	26.00	25.19
5502658	XW1E-BV422R	SOLDER TERM 40MM 2N/C + 2N/O	24.95	24.20	23.45
5502668	XW1E-LV402Q4R	SOLDER TERM 40MM 2N/C ILLUMINATED	26.80	26.00	25.19
5502670	XW1E-LV404Q4R	SOLDER TERM 40MM 4N/C ILLUMINATED	33.90	32.88	31.87
5502672	XW1E-LV411Q4R	SOLDER TERM 40MM 1N/C + 1N/O ILLUMINATED	28.60	27.74	26.88

## Emergency Stop Switches Twist or Key Reset, Ø22mm



40MM Actuator



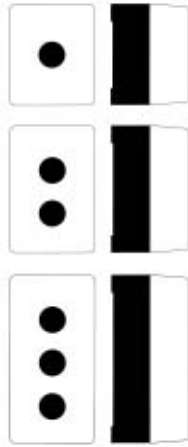
Emergency stop switches for Ø22mm hole mounting with push to lock, twist to reset in three actuator diameters. A key reset version is available with a 40mm actuator. Positive action contacts will not operate until the button is locked, complying with EN60947-5-1.

Contact arrangement	1 N/C
Rated insulation voltage	600V
Rated thermal current	10A
Min. switching capacity	5mA at 3V AC/DC
IP Rating	IP65 (front of panel)
Temperature	-25°V to +50°C
Actuator diameter	29mm, 40mm, 60mm
Panel cutout	Ø22mm
Conforms to	EN60947-5-1
Approvals	UL, CSA

Stock No.	Manf Ref'	Type	Unit Price		
			1-4	5-9	10-24
5501097	HW1BV3F01R	TWIST 29MM	10.25	9.94	9.64
5501100	HW1BV4F01R	TWIST 40MM	10.47	10.16	9.84
5501103	HW1BV5F01R	TWIST 60MM	15.11	14.66	14.20
5501106	HW1BX4F01R	KEY 40MM	22.47	21.80	21.12



Plastic Enclosures



A range of plastic control station enclosures are available that accept one, two, three or four operators. All enclosures are white.

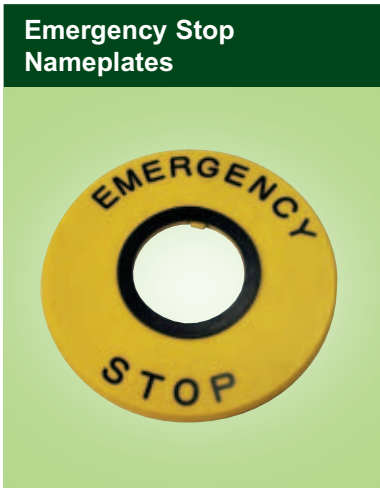
Stock No.	Manf Ref'	Type	Unit Price		
			1-4	5-9	10-24
5501124	HW1XBOXWG	1 GANG	6.56	6.36	6.17
5501127	HW1XBOX2	2 GANG	7.47	7.25	7.02
5501130	HW1XBOX3	3 GANG	9.29	9.01	8.73
5501131	HW1XBOX4	4 GANG	12.02	11.66	11.30



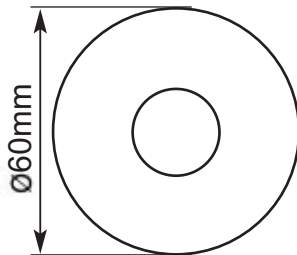
Emergency Stop Shroud  
Ø22 mm

Emergency stop shroud to enhance the visibility of the switch by providing a yellow background. It also prevents accidental activation. The shroud meets the 'SEMI' standard for semi-conductor machinery and also maintains IP65 protection.

Stock No.	Manf Ref'	Type	Unit Price		
			1-4	5-9	10-24
5501133	HW9ZKG1TK2120	SHROUD	14.89	14.44	14.00



Emergency Stop Nameplates



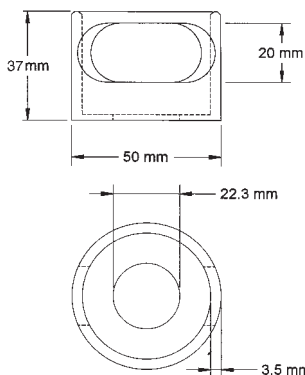
Emergency stop nameplates, one standard and one jumbo, which will enhance the visibility of the switch by providing a yellow background. Yellow plastic engraved with 'EMERGENCY STOP' in black letters. Suitable for switches with Ø22mm or Ø16mm hole mounting.

Outside diameters 60mm (standard), 80mm (jumbo), 43.5mm (standard 16mm)

Stock No.	Manf Ref'	Type	Unit Price		
			1-4	5-9	10-24
5501118	HWAV27	STANDARD FOR 22MM	2.10	2.04	1.97
5501121	HWAV527	JUMBO FOR 22MM	2.31	2.24	2.17
5501122	HA AV27	STANDARD FOR 16MM	2.10	2.04	1.97



E Stop Shroud



An attractively styled anodised aluminium bezel designed to prevent accidental operation or damage to twist to reset emergency stop buttons. Will accept most makes of Ø22mm buttons, with head sizes of 40mm.

Material anodised aluminium

Stock No.	Manf Ref'	Type	Unit Price		
			1-4	5-9	10-24
9471012	PEN290081	E STOP SHROUD	12.50	11.88	11.25